

ICV IS ONE VALVE READY TO TAKE ON ANY COMMERCIAL HIGH-PRESSURE SYSTEM.

FEATURES

- Application: Commercial/municipal
- Sizes: 1", 1½", 2", 3"
- External and internal manual bleed allows quick and easy "at the valve" activation
- Glass-filled nylon construction resulting in the highest pressure rating
- Double-beaded diaphragm seal design for superior leak-free performance
- Fabric reinforced EPDM diaphragm and EPDM seat ensure superior performance in all conditions
- DC latching solenoids enable Hunter's battery-powered controllers
- Captive bonnet bolts provide hassle-free valve maintenance
- Low flow capability allows use Hunter's micro-irrigation products
- Encapsulated 24 VAC solenoid with captive plunger for hassle-free service
- Temperature rating: 150° F
- Warranty period: 5 years

ADVANCED FEATURES

- Flow control
- Filter Sentry™
- Reclaimed water ID handle
- Accu-Sync™ capable

OPERATING SPECS

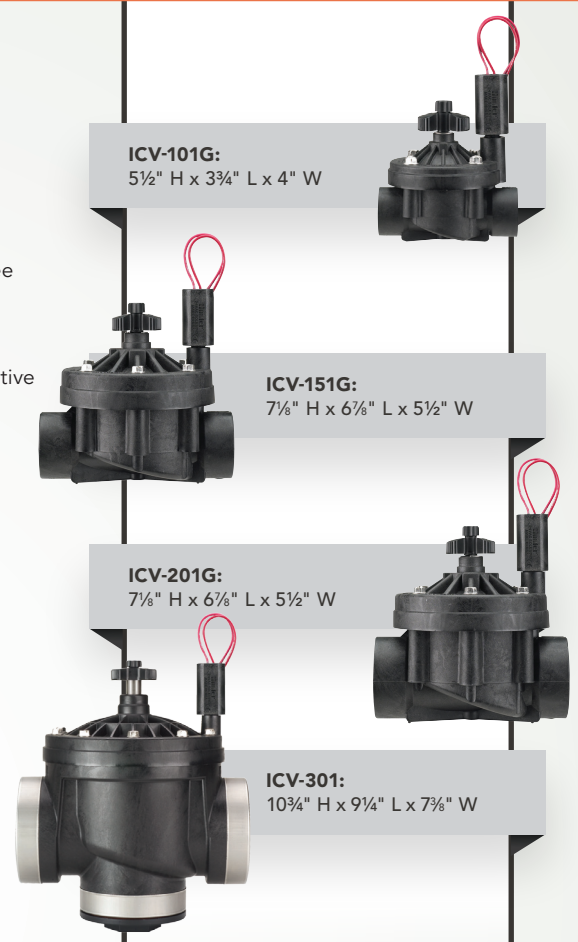
1" Flow rate: 0.1 to 40 GPM
 1½" Flow rate: 20 to 135 GPM
 2" Flow rate: 40 to 150 GPM
 3" Flow rate: 150 to 300 GPM
 Recommended pressure range: 20 to 220 PSI

FACTORY INSTALLED OPTIONS

Valve without solenoid
 DC latching solenoid
 Filter Sentry

USER INSTALLED OPTIONS

Solenoid conduit cover (P/N 464322)
 DC latching solenoid (P/N 458200)
 Accu-Sync pressure regulator
 Reclaimed water ID for ICV101, 151, and 201 (P/N 561205) and 301 (P/N 515005)



ICV Pressure Loss in PSI					ICV Pressure Loss in PSI					ICV Pressure Loss in PSI				
		3"					3"					3"		
GPM	1"	1½"	2"	Globe Angle	GPM	1"	1½"	2"	Globe Angle	GPM	1"	1½"	2"	Globe Angle
0.1	2				40	7	1.7	0.8		150		16.2	9.8	2.5
0.5	2				50		2.2	1.2		175			13.3	3
1	2				60		3	1.7		200			17.7	4.1
5	2.5				75		3.9	2.4		225				5.3
10	3				90		5.5	3.2		250				6.7
15	3				100		7	4.2		275				8.3
20	3	1.5			120		10.9	6.5		300				10.1
30	4	1.5			135		12.7	7.9		Charts based on full-open flow control position				

SPECIFICATIONBUILDER

www.hunterindustries.com/ICV

MODELS	INLET/OUTLET	OPTIONS FACTORY INSTALLED	OPTIONS USER INSTALLED
ICV-101G = 1" globe valve	(blank) = NPT threads B = BSP threads	(blank) = No option FS = Filter Sentry DC = DC latching solenoid LS = Valve without solenoid	(blank) = No option R = Reclaimed water ID tag CC = Solenoid conduit cover DC = DC latching solenoid AS-ADJ = Accu-Sync adjustable pressure regulator AS-20 = Accu-Sync 20 PSI pressure regulator AS-30 = Accu-Sync 30 PSI pressure regulator AS-40 = Accu-Sync 40 PSI pressure regulator AS-50 = Accu-Sync 50 PSI pressure regulator AS-70 = Accu-Sync 70 PSI pressure regulator
ICV-151G = 1½" globe valve			
ICV-201G = 2" globe valve			
ICV-301 = 3" globe/angle valve			

EXAMPLES

ICV-101G	1" globe valve, NPT threads
ICV-151G - FS - R	1½" globe valve, NPT threads, Filter Sentry, and reclaimed water ID tag